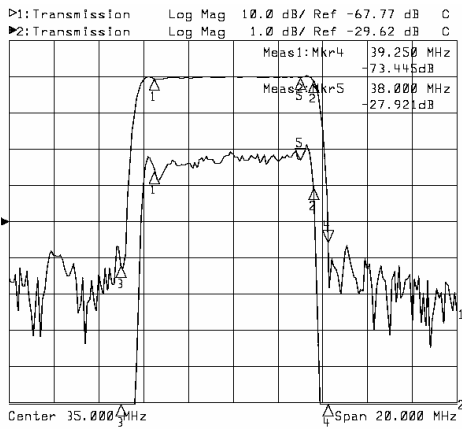
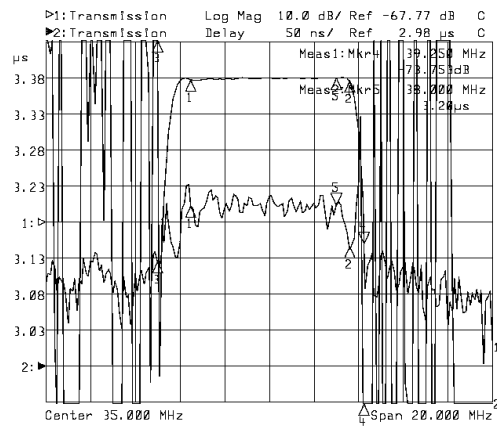


**35MHz CATV Filter**  
**Part Number LBN38-8E (6.5MHz)**

**Typical Performance**



Horizontal: 2MHz/Div  
 Vertical: 10dB/Div



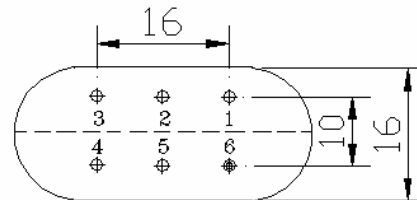
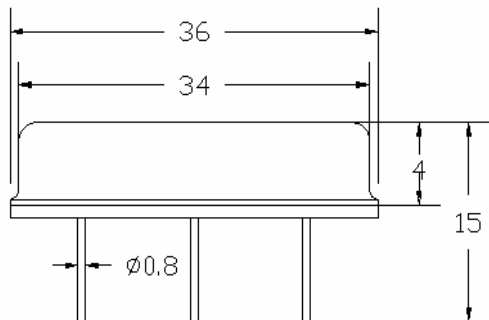
Horizontal: 2MHz/Div  
 Vertical: 50nsec/Div

**Specifications**

Parameter	Unit	Minimum	Typical	Maximum
Center Frequency	MHz		35.0	
Insertion Loss at F <sub>0</sub>	dB		28.0	
@ 31.50MHz	dB		-0.5	
@ 38.50MHz	dB		-1.0	
@ 39.25MHz	dB		-40	
@ 30.00MHz	dB		-40	
Passband Variation	dB		0.8	
Group Delay Variation	nsec		48	
Absolute Delay	usec		3.2	
Ultimate Rejection	dB		50	
Substrate Material	-		128LiNbO3	
Ambient Temperature	°C		25	

**Package SB-2**

Dimensions in mm



BOTTOM VIEW  
 IN:1 OUT:4  
 GND: 2,3,5,6