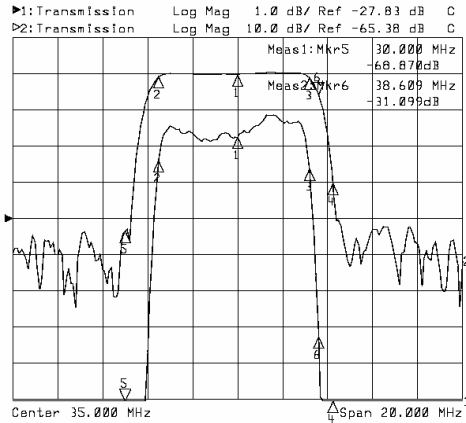
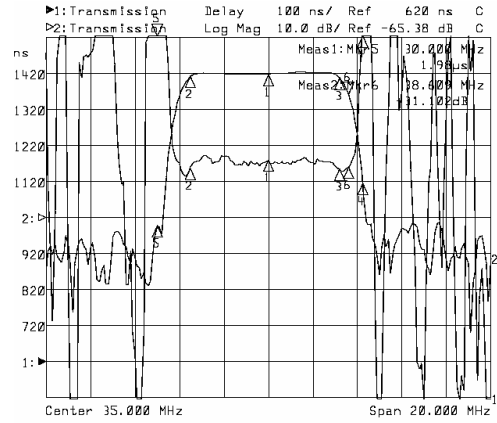


35MHz CATV Filter
Part Number LBN38-8M

Typical Performance



Horizontal: 2MHz/Div
 Vertical: 10dB/Div

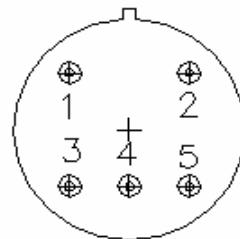
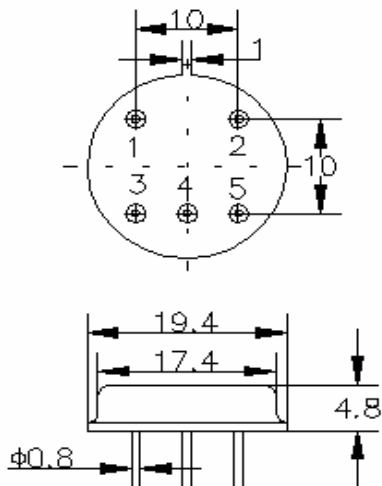


Horizontal: 2MHz/Div
 Vertical: 100nsec/Div

Specifications

Parameter	Unit	Minimum	Typical	Maximum
Center Frequency	MHz		35.0	
Insertion Loss at F ₀	dB		25.6	26.0
@31.50MHz	dB		-1.5	
@38.20MHz	dB		-1.8	
@39.25MHz	dB		-31	
@30.00MHz	dB		-40	
Passband Variation	dB		0.8	
Group Delay Variation	nsec		50	
Absolute Delay	usec		1.20	
Ultimate Rejection	dB		40	
Substrate Material	-		128LiNbO3	
Ambient Temperature	°C		25	

Package TO-10



BOTTOM VIEW
 IN: 5 OUT: 3
 GND: 1 2 4