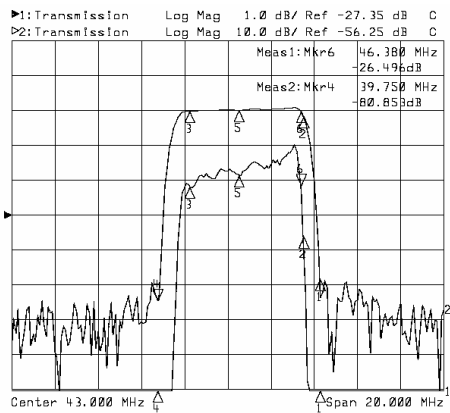


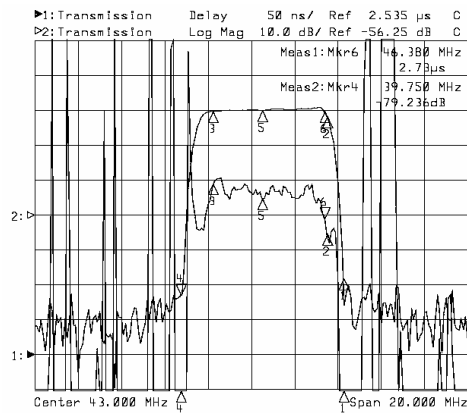
43.5 MHz CATV Filter

Part Number LBN45.75-5E (4.5MHz)

Typical Performance



Horizontal: 2MHz/Div
Vertical: 10dB/Div



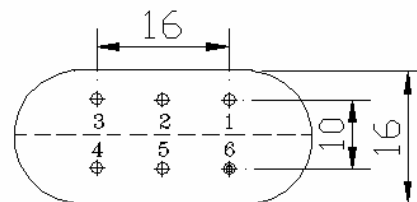
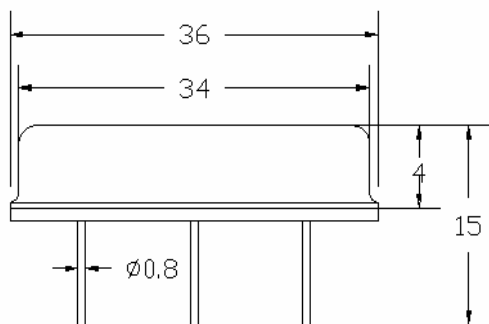
Horizontal: 2MHz/Div
Vertical: 50nsec/Div

Specifications

Parameter	Unit	Minimum	Typical	Maximum
Center Frequency	MHz		43.5	
Insertion Loss at F ₀	dB		26.5	27.0
@46.50MHz	dB		-2.5	-3.5
@41.25MHz	dB		-0.5	-1.5
@47.25MHz	dB		50	
Passband Variation	dB		1.0	
Group Delay Variation	nsec		50	80
Absolute Delay	usec		2.8	
Ultimate Rejection	dB	48	50	
Substrate Material	-		YZ-LiNbO3	
Ambient Temperature	°C	-40	25	80

Package SB-2

Dimensions in mm



BOTTOM VIEW
IN:1 OUT:4
GND: 2,3,5,6