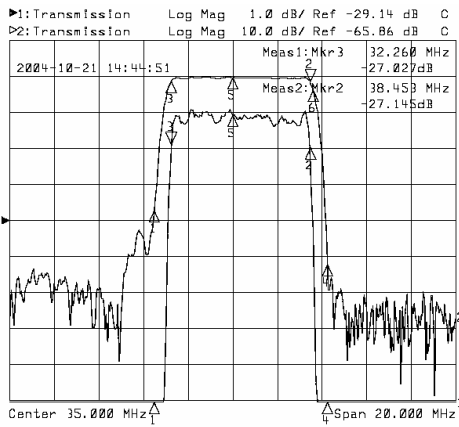
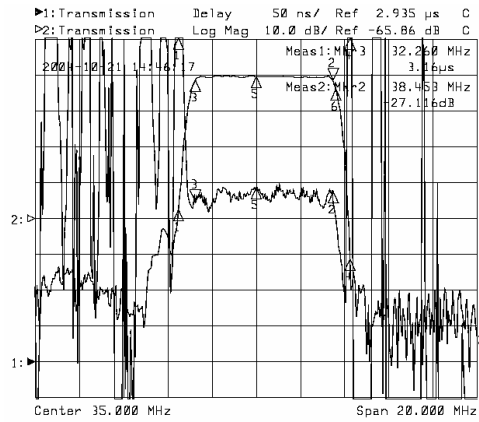


35.375MHz CATV Filter
Part Number LBN38-7E

Typical Performance



Horizontal: 2MHz/Div
 Vertical: 10dB/Div



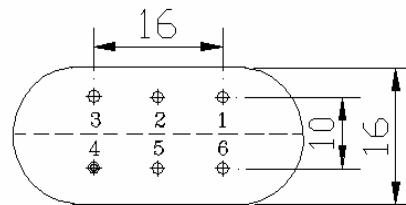
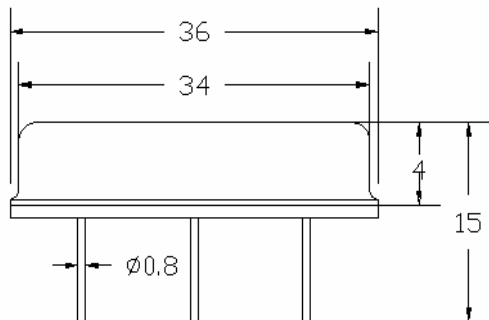
Horizontal: 2MHz/Div
 Vertical: 50nsec/Div

Specifications

Parameter	Unit	Minimum	Typical	Maximum
Center Frequency	MHz	35.370	35.375	35.380
Insertion Loss at F ₀	dB		25.5	26.5
@ 31.50MHz	dB		-35	-40
@ 38.40MHz	dB	-0.8	-1.0	
@ 39.25MHz	dB		-40	-55
@ 32.25MHz	dB	-0.8	-1.0	
Passband Variation	dB		0.4	0.6
Group Delay Variation	nsec		30	50
Absolute Delay	usec		3.15	
Ultimate Rejection	dB		55	60
Substrate Material	-		128LiNbO3	
Ambient Temperature	°C		25	

Package SB-2

Dimensions in mm



BOTTOM VIEW
 IN:3 OUT:6
 GND: 1,2,4,5