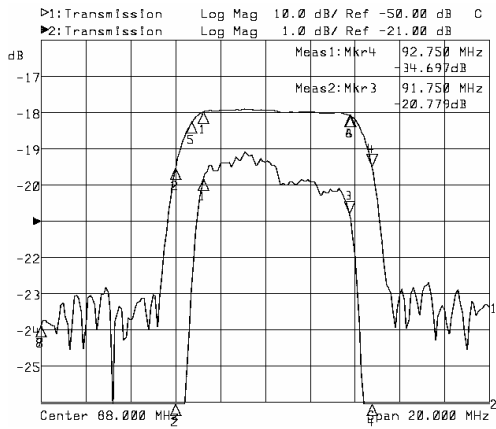
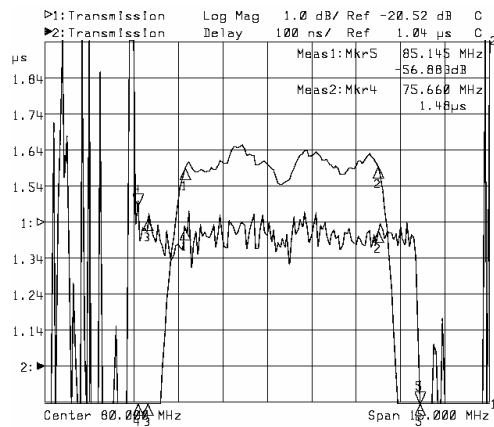


**CATV VSB Filter For TV Modulator(PAL)**  
**Part Number CH5B**

**Typical Performance**



Horizontal: 2MHz/Div  
 Vertical: 10dB/Div

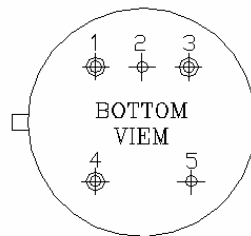
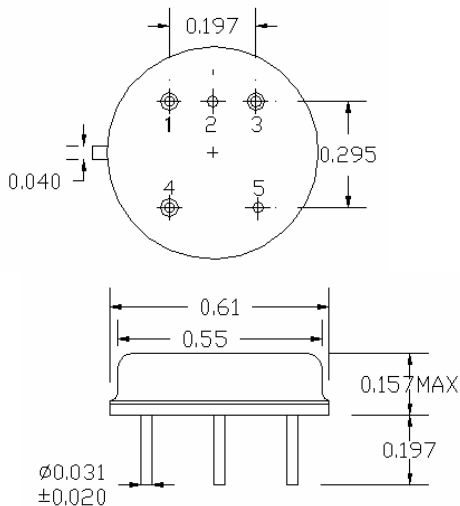


Horizontal: 1.5MHz/Div  
 Vertical: 100nsec/Div

**Specifications**

Parameter	Unit	Minimum	Typical	Maximum
Center Frequency	MHz	87.50	88.00	88.50
Insertion Loss	dB		20.0	21.00
85.25MHz	dB		-0.50	-1.00
91.75MHz	dB		-0.50	-1.00
84.00MHz	dB		-20.00	-22.00
Passband Variation	dB		0.50	0.70
Group Delay Variation	nsec		80	100
Absolute Delay	usec		1.50	1.53
Ultimate Rejection	dB	45	50	
Substrate Material	-		128-LiNbO3	
Ambient Temperature	°C	-40	25	80

**Package SFA02**



SFA02  
 IN: 4  
 OUT: 3  
 GND: 1,2,5