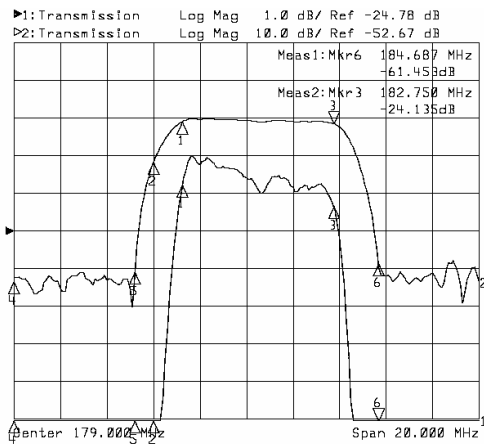
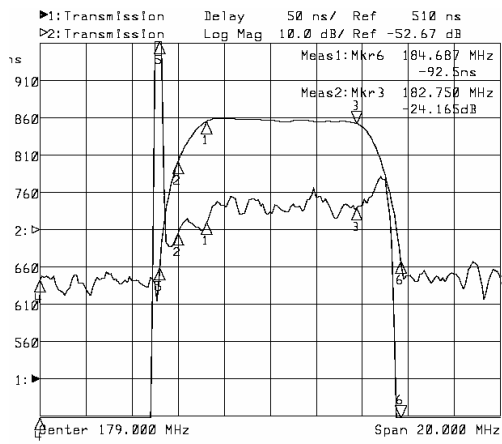


179.5MHz Standard Filter
Part Number 180070

Typical Performance



Horizontal: 2MHz/Div
 Vertical: 10dB/Div

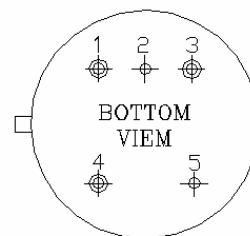
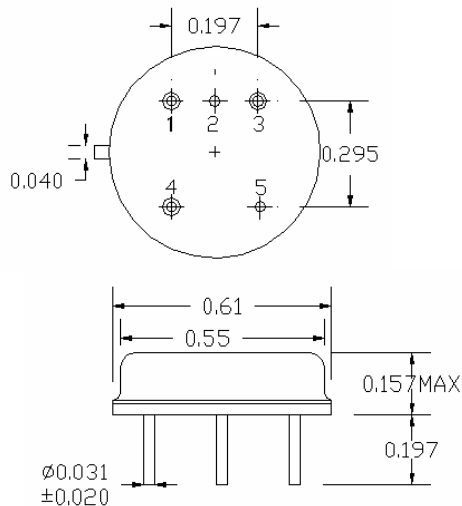


Horizontal: 2.0MHz/Div
 Vertical: 50nsec/Div

Specifications

Parameter	Unit	Minimum	Typical	Maximum
Center Frequency	MHz	179.40	179.50	179.60
Insertion Loss	dB		24.01	24.75
176.25MHz	dB		-0.50	-1.00
182.75MHz	dB		-1.01	-1.50
175.00MHz	dB		-12.1	-15.04
Passband Variation	dB		1.20	1.40
Group Delay Variation	nsec		60	80
Absolute Delay	usec		0.71	0.72
Ultimate Rejection	dB	38	40	
Substrate Material	-		LiTaO3	
Ambient Temperature	°C	-40	25	80

Package SFA02



SFA02
 IN: 4
 OUT: 3
 GND: 1,2,5