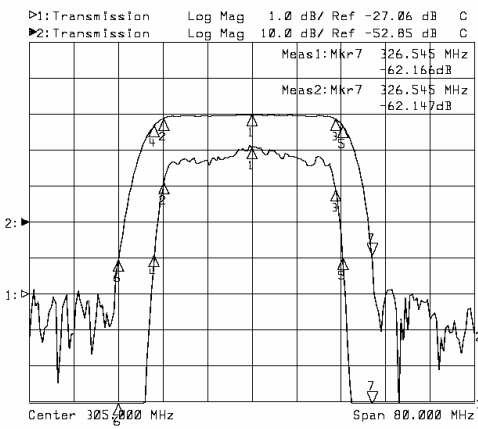
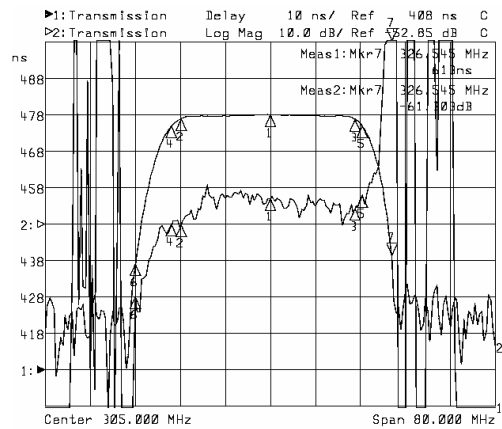


305 MHz Standard Filter
Part Number 305320

Typical Performance



Horizontal: 8MHz/Div
 Vertical: 10dB/Div

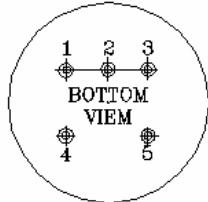
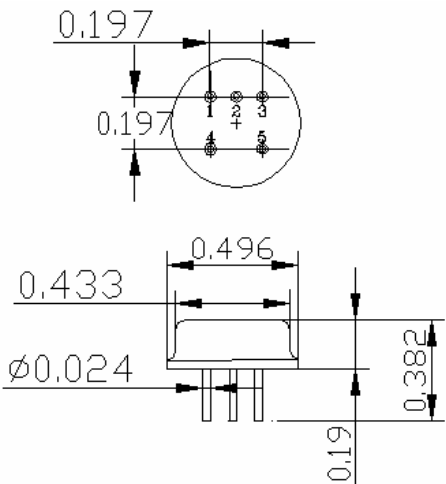


Horizontal: 8MHz/Div
 Vertical: 10ns/Div

Specifications

Parameter	Unit	Minimum	Typical	Maximum
Center Frequency	MHz	304.5	305.0	305.5
Insertion Loss at F ₀	dB		22.5	24.0
1 dB Bandwidth	MHz	30.0	30.5	
3 dB Bandwidth	MHz	33.0	33.5	
40dB Bandwidth	MHz		45.5	46.5
Passband Variation	dB		0.3	0.6
Group Delay Variation	nsec		10	20
Absolute Delay	usec		0.45	
Ultimate Rejection	dB	45	50	
Substrate Material	-		128-LiNbO3	
Ambient Temperature	°C	-40	25	85

Package TO-5



TO-5 IN:3
 OUT:4
 GND:1,2,5