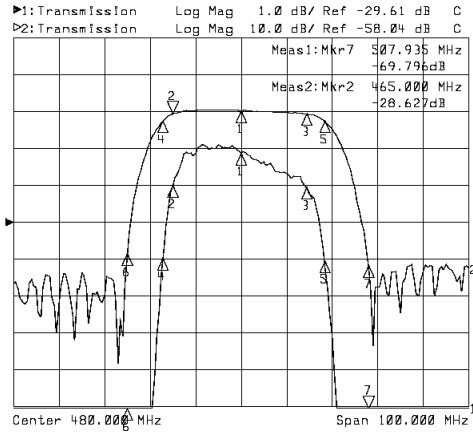
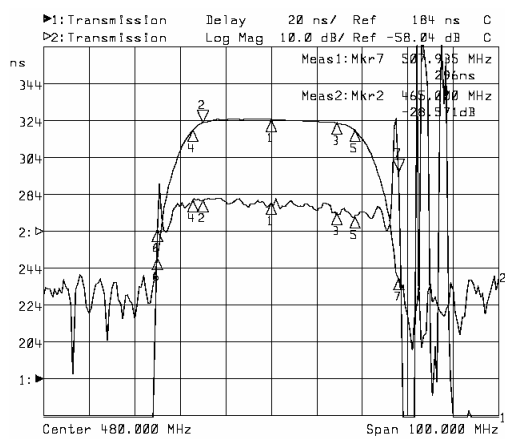


480 MHz Standard Filter
Part Number 480360

Typical Performance



Horizontal: 10MHz/Div
 Vertical: 10dB/Div

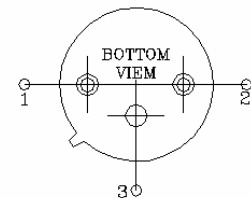
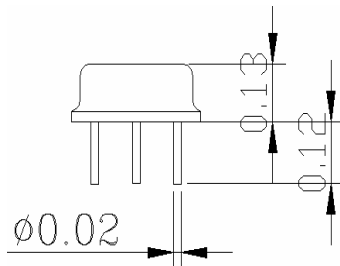
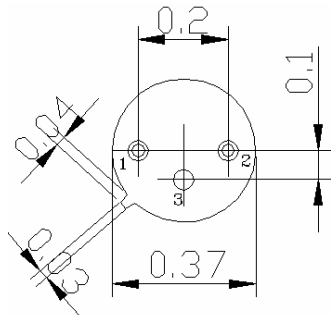


Horizontal: 10MHz/Div
 Vertical: 20ns/Div

Specifications

Parameter	Unit	Minimum	Typical	Maximum
Center Frequency	MHz	479.5	480	480.5
Insertion Loss at F ₀	dB		28	
1 dB Bandwidth	MHz		29.3	
3 dB Bandwidth	MHz		35.5	
40dB Bandwidth	MHz		53.0	
Passband Variation	dB		1.0	
Phase Linearity	Deg			
Group Delay Variation	nsec		20	
Absolute Delay	usec		0.2	
Ultimate Rejection	dB		45	
Substrate Material	-		128LiNbO3	
Ambient Temperature	°C		25	

Package TO-39



TO-39 IN: 1
 OUT: 2
 GNP: 3